



※ Image Photo

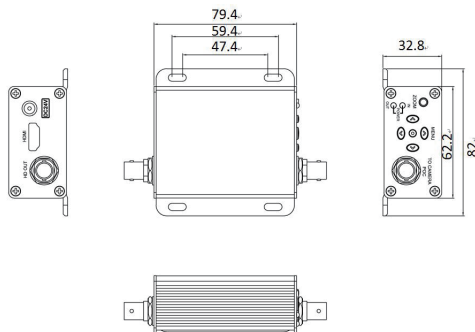
AHP-101CM



◆ Key Feature

- └ Support HDTVI & AHD: 1080P/HD 720P
- └ Transmission Distance up to 200 meters
- └ OSD Control
- └ Support Optical Motorized Zoom

◆ Mechanical Dimension



1ch AHD One Cable Power Unit

◆ Technical Specification

Model	AHP-101CM
System	1Ch Universal HD One Cable Power Supply Unit
Camera Input	AHD 1080P / 720P or Composite (CVBS) x 4 BNC
Video Output	BNC x1 / HDMI x1
Cable Transmission Distance	RG-59/U (3C2V) < 250M ; RG-6A/U (5C2V) 250~350M
Power Consumption	24W(MAX)
Power Source	DC24V/1.0A
Operating Temperature	-10°C~50°C
Operating Humidity	RH90%
Dimensions	45(W)x25(H)x60(L)mm
Net Weight	120Kg

■ Specifications are subject to change without prior notice.