



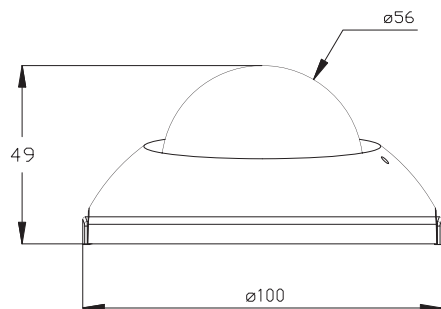
## IPD-2065MF



### ◆ Key Features

- └ 1/2.9" 2 Megapixel CMOS sensor
- └ 1920x1080@30fps (1080P) ; H.265, H.264, M-JPEG
- └ Support Micro SD Card for backup
- └ 2D/3D Digital Noise Reduction
- └ Support Power over Ethernet / DC12V Power Input
- └ Support iPhone / iPad / Android

### ◆ Mechanical Dimension



## 2MP Full HD IR Mini Dome Network Camera

### ◆ Technical Specifications

Model	IPD-2065MF
Image Sensor	1/2.9" 2 Megapixel CMOS sensor
Video Resolution	1920x1080, 1280x720, 640x480, 320x240, 176x144
Video Frame Rate	Up to 30fps for All Video
Video Compression	H.265 / H.264 / MJPEG
Sensitivity(AGC On)	Color : 0.1 Lux (IR Off), B / W: 0.05 Lux (IR ON)
Digital Wide Dynamic Range	8 Levels (Adjustable Level Settings)
Second Video Output	N/A
Mechanical IR Cut Filter	Automatically Switches
IR LED ; Working Distance	6 units ; 10m
3-Axis Adjustments Angle	N/A
Day&Night Mode	Yes
Electronic Shutter	1/30~1/1000 sec.
White Balance	Yes
DNR ; Sense Up	2D/3D ; Yes
Language	English / Japanese / Chinese (Traditional, Simplified) / Russian / French / Italian / German / Spanish / Polish / Portuguese
Image Setting	Brightness, Contrast, Hue, Saturation, Sharpness, AGC, Shutter Time, D-WDR, Anti Fog, Lens Distortion Correction, Flip, Mirror, Red/Blue Gain, Day&Night, DeNoise
Motion Detection	Yes
Supported Protocols	IPv6, IPv4, HTTP, HTTPS, SNMP, QoS/DSCP, Access list, IEEE 802.1X, RTSP, TCP/ IP, UDP, SMTP, FTP, PPPoE, DHCP, DDNS, NTP, UPnP, 3GPP, SAMBA, Bonjour
Video Streaming	H.264/ M-JPEG
Audio Streaming ; I/O	G.711(64K) / G.726(32K,24K) ; External Mic In / External Audio Out
Alarm In / Alarm Out	DI / DO
Lens ; Angle of View	f2.8mm/F1.8 ; 96° (H) / 54° (V)
Water Resistance	N/A
Power Supply ; Consumption	PoE / 12Vdc ; PoE: 3.0W (IR LED on) / 2.5W (IR LED off)
Operating Temperatur	-20°C ~ 50°C
Dimensions	100mm(DIA) x 49mm(H)
Net Weight	180 g

■ Specifications are subject to change without prior notice.