



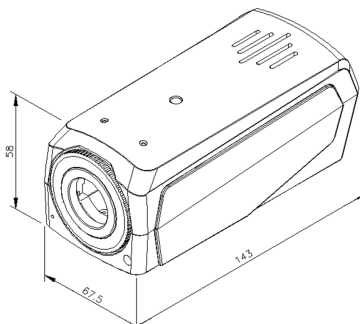
IPX-4065DN



◆ Key Features

- └ 1/3" 4 Megapixel CMOS sensor
- └ Resolution 4M@25fps / Full HD@30fps
- └ Support H.265, H.264, M-JPEG Compression
- └ Support SD Card for backup
- └ Support Power over Ethernet / 12Vdc Power Input
- └ Support iPhone / iPad / Android

◆ Mechanical Dimension



4MP H.265 Box Network Camera

◆ Technical Specifications

Model	IPX-4065DN
Image Sensor	1/3" 4 Megapixel CMOS sensor
Video Resolution	2592x1520, 1920x1080, 1280x720, 640x360
Video Compression	H.265, H.264, M-JPEG
Video Frame Rate	2592x1520@25fps, 1920x1080@30fps, 1280x720@30fps, 640x360@30fps
Lens ; Angle of View	CS Mount
S/N ratio	44dB
IR LED units	N/A
IR LED Working Distance	-
Minimum Illumination	Color : 0.08 Lux (IR Off), B / W: 0.03 Lux (IR Off)
Electronic Shutter	AUTO ; 1/30 ~ 1/10000 sec.
ICR	Mechanism IR Cut Filter
Day&Night Mode	Yes
Wide Dynamic Range	Yes
FLK	Yes
White Balance	Yes
DNR	2D/3D
Analog Output	Yes (BNC)
Audio	Input x2(audio in or Mic built-in), Output x1(3.5mm phone jack) ; G.711 / G.726
Maximum concurrent access number	10
Alarm In / Alarm Out	DI / DO
Ethernet	10/ 100 Base-T
Network Protocols	IPv6, IPv4, HTTP, HTTPS, SNMP, QoS/DSCP, Access list, IEEE 802.1X, RTSP, TCP/ IP, UDP, SMTP, FTP, PPPoE, DHCP, DDNS, NTP, UPnP, 3GPP, SAMBA, Bonjour
Wi-Fi	N/A
ONVIF	ONVIF2.4.2
Supported Browser	Window 7, XP, Microsoft IE 6.0 or above, Chrome, Safari, Firefox
External Storage	SD
Water Resistance	N/A
Impact Resistance	N/A
Language	English / Japanese / Chinese (Traditional, Simplified) / Russian / French / Italian / German / Spanish / Polish / Portuguese
Power Supply ; Consumption	PoE / 12Vdc / 24Vac ; PoE: 3.6W / 12Vdc: 2.64W / 24Vac: 5.3W
Operating Temperature ; Humidity	-20°C ~ 50°C / 90%
Dimensions	67.5mm x 58mm x 143mm
Net Weight	420g

◆ Specifications are subject to change without prior notice.